

TTA MOUNT SERIES

Mid-frequency, high deflection mounts for protection from severe vibration and shock.

APPLICATIONS

- Ruggedized disk drives
- Electronics for rotary wing and propeller driven aircraft
- Mobile ground equipment
- Other applications where high amplitude, low frequency vibration is present

FEATURES

- Available in Silicone or Neoprene
- Axial to radial stiffness of 1:1
- Mid frequency isolation
- Aluminum construction

BENEFITS

- Attenuates a 15g, 11 millisecond half-sine shock to 6g's
- Survives a 30g, 11 millisecond half-sine crash safety shock
- Lightweight & durable

LOAD RANGE

- 3 load ratings to 15 lbs. per mount



The TT-A mount is a mid frequency isolator which combines a low profile and large deflection capability in order to provide both shock and vibration protection. The TT-A is ideal for applications where high amplitude vibration inputs are expected or where large shock deflections are needed.

Specifications

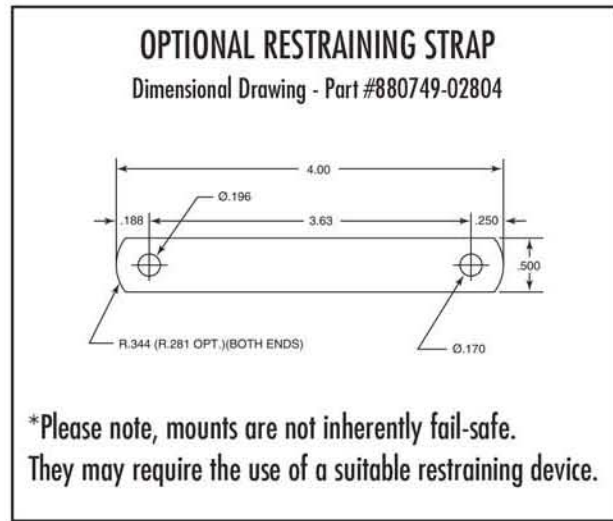
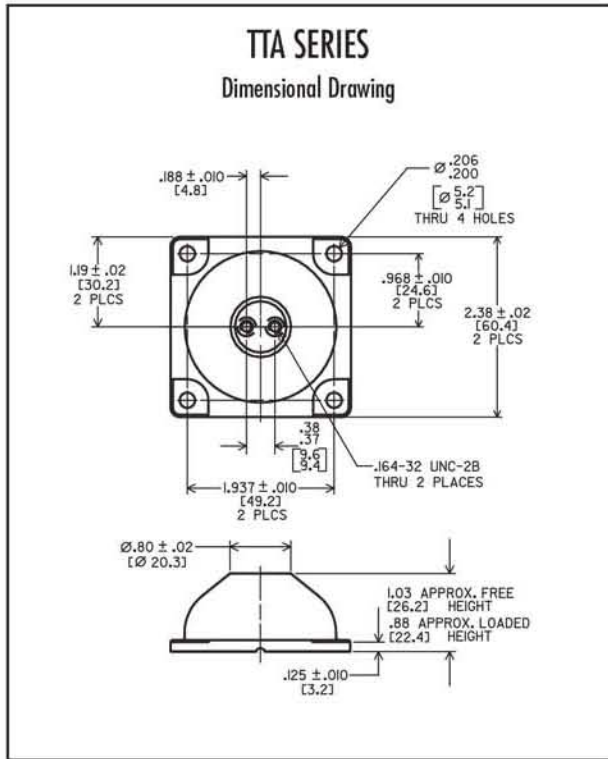
• Natural Frequency	12-20 Hertz
• Transmissibility at resonance	4.0 Max. (Hi-Damp Silicone) 10.0 Max. (Neoprene)
• Resilient Element	Hi-Damp Silicone or Neoprene
• Standard Materials	Aluminum (Grounding Strap Beryllium Copper)
• Weight	2.0 oz.

Environmental Data

- Hi-Damp Silicone operating temperature range is -67°F to +300°F (-55°C to +150°C) and is resistant to fungus and ozone.
- Neoprene operating temperature range is -20°F to +180°F (-30°C to +82°C) and is resistant to oil and ozone.

TTA MOUNT SERIES:

Dimensions & Performance Characteristics



TTA SERIES ORDERING INFORMATION		
PART #		LOAD RANGE (lbs.)
Neoprene	Silicone	
TTNA-1	TTA-1	5-7
TTNA-2	TTA-2	7-10
TTNA-3	TTA-3	10-15

