

# T-MOUNT SERIES (T22/T44/T64/T94)

General purpose, all-attitude isolators for mounting aircraft, shipboard or vehicular equipment.

## APPLICATIONS

- Shipboard electronics
- Missile electronics
- Racking systems
- Aircraft & mobile applications
- Avionics & electronics

## FEATURES

- Fail safe, all-attitude isolators
- Meets crash safety requirements of MIL-E-5400 (30g 11 millisecond half-sine pulse shock)
- Axial to radial stiffness of 1:1
- Isolates under sustained loadings of up to 5g's

## BENEFITS

- Provides efficient vibration isolation at frequencies above 40 hertz
- Increased equipment reliability and extended component life

## LOAD RANGE

- T22 = 4 ratings to 5 lbs. per mount
- T44 = 3 ratings to 20 lbs. per mount
- T64 = 3 ratings to 80 lbs. per mount
- T94 = 2 ratings to 150 lbs. per mount



Barry T-Mounts are general purpose isolators for mounting aircraft, shipboard or vehicular equipment in any attitude. They are ideally suited for applications requiring high frequency vibration isolation with low resonant amplification.

## Specifications

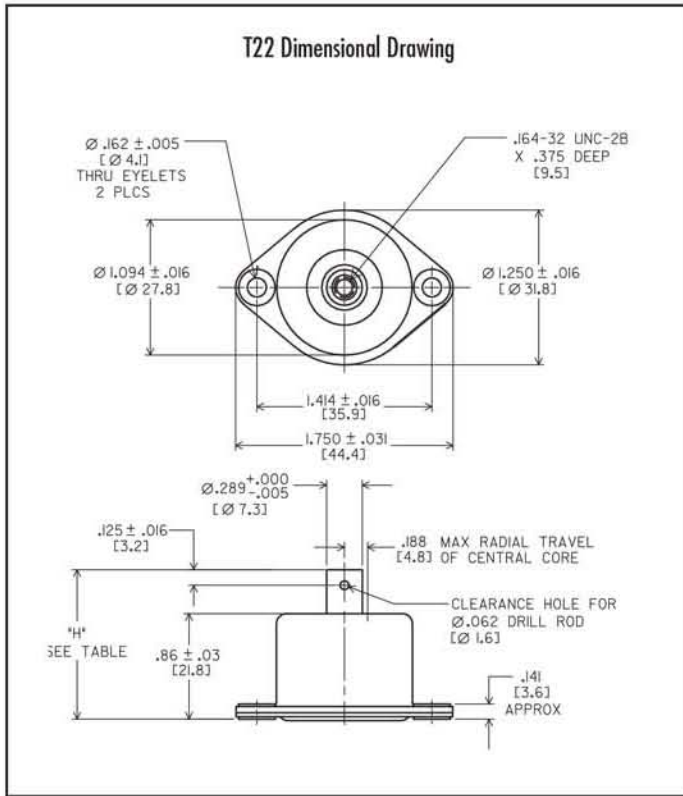
|                                 |   |
|---------------------------------|---|
| • Natural Frequency             | 15-40 Hertz   |
| • Transmissibility at resonance | 4.0 Max.  |
| • Resilient Element             | Hi-Damp Silicone  |
| • Standard Materials            | Varies with model   |
| • Weight                        | T22 = 1.1 oz.<br>T44 = 2.8 oz.<br>T64 = 5.3 oz.<br>T94 = 14.2 oz. |

## Environmental Data

- Hi-Damp Silicone exceeds the temperature requirements of MIL-E-5400 (-67°F to +300°F or -55°C to +150°C) operational and (-100°F to +300°F or -75°C to +150°C) storage.
- Meets MIL-E-5400 requirements for resistance to ozone, humidity, salt spray and fungus.
- Meets MIL-S-901 lightweight Grade B Navy high impact shock test requirements.

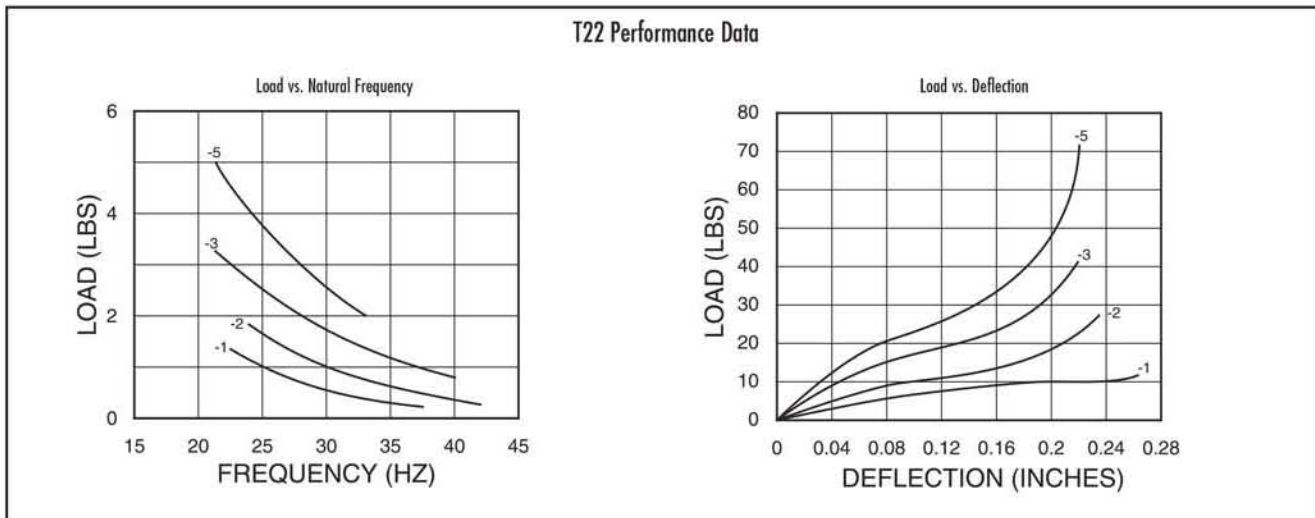
# T-MOUNT SERIES: T22

## Dimensions & Performance Characteristics



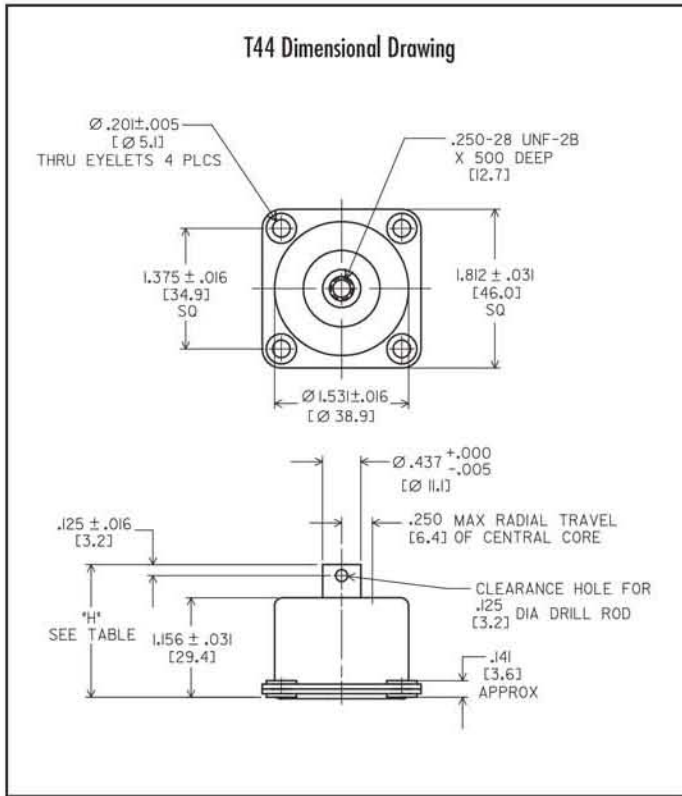
| T22 SERIES "H" DIMENSION |      |
|--------------------------|------|
| Compressed               | .91  |
| Approx. Free             | 1.22 |
| Max. Extended            | 1.56 |

| T22 SERIES LOAD RANGE DATA |                    |
|----------------------------|--------------------|
| Part #                     | Max. Load/Isolator |
| T22-AB-1                   | 1 lb.              |
| T22-AB-2                   | 2 lbs.             |
| T22-AB-3                   | 3 lbs.             |
| T22-AB-5                   | 5 lbs.             |



# T-MOUNT SERIES: T44

## Dimensions & Performance Characteristics



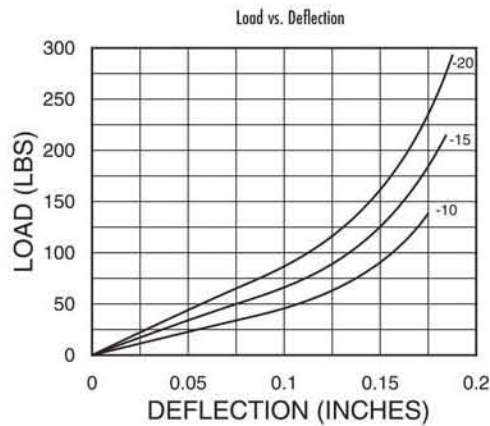
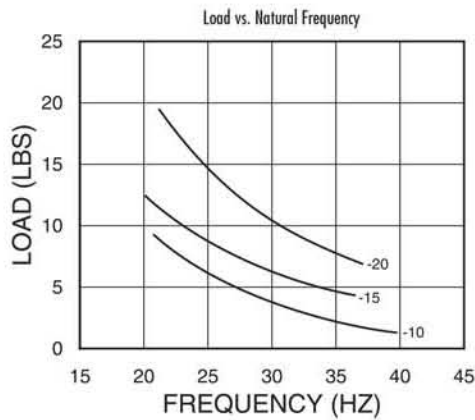
### T44 SERIES "H" DIMENSION

|               |      |
|---------------|------|
| Compressed    | 1.19 |
| Approx. Free  | 1.50 |
| Max. Extended | 1.88 |

### T44 SERIES LOAD RANGE DATA

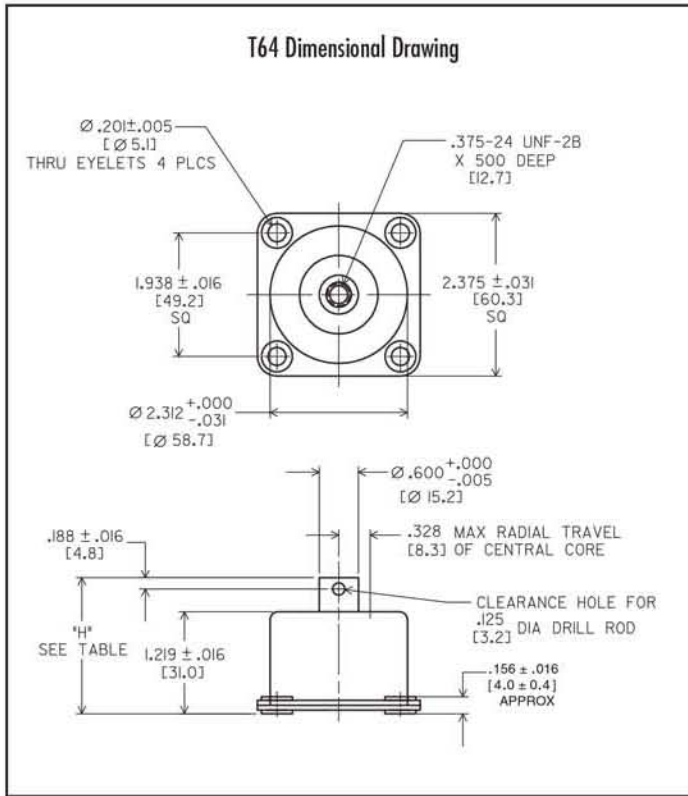
| Part #    | Max. Load/Isolator |
|-----------|--------------------|
| T44-AB-10 | 10 lbs.            |
| T44-AB-15 | 15 lbs.            |
| T44-AB-20 | 20 lbs.            |

### T44 Performance Data



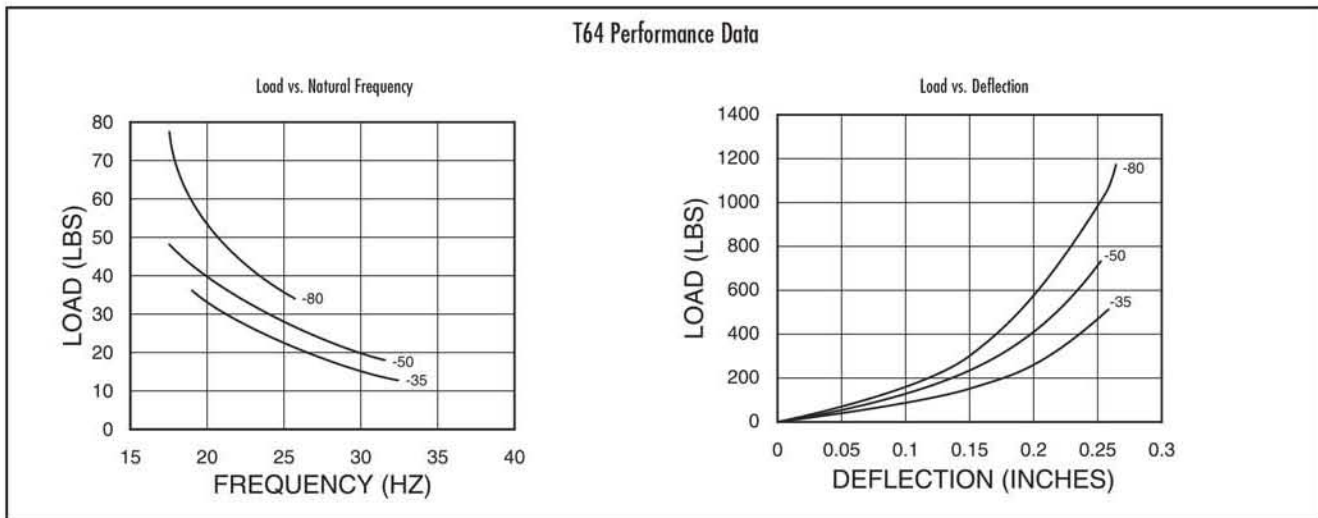
# T-MOUNT SERIES: T64

## Dimensions & Performance Characteristics



| T64 SERIES "H" DIMENSION |      |
|--------------------------|------|
| Compressed               | 1.25 |
| Approx. Free             | 1.62 |
| Max. Extended            | 1.94 |

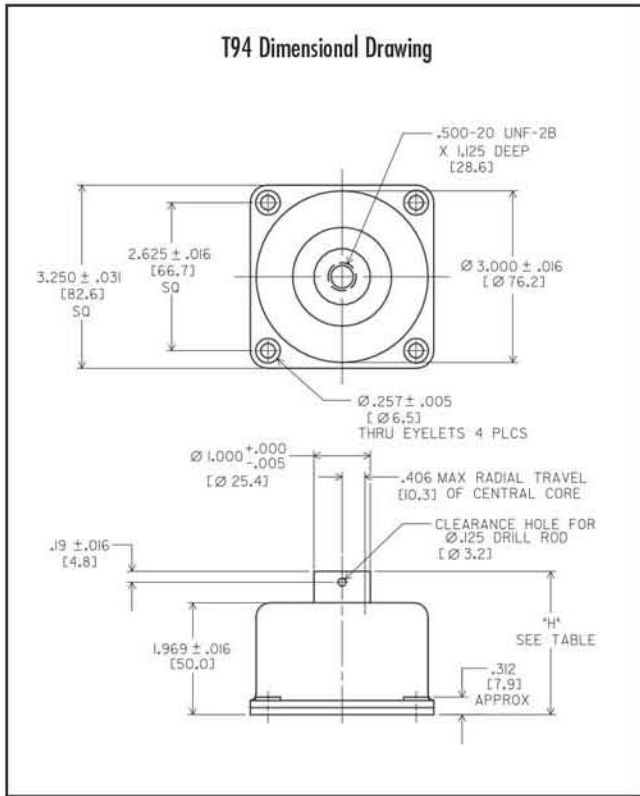
| T64 SERIES LOAD RANGE DATA |                    |
|----------------------------|--------------------|
| Part #                     | Max. Load/Isolator |
| T64-AB-35                  | 35 lbs.            |
| T64-AB-50                  | 50 lbs.            |
| T64-AB-80                  | 80 lbs.            |





# T-MOUNT SERIES: T94

## Dimensions & Performance Characteristics



| T94 SERIES "H" DIMENSION |      |
|--------------------------|------|
| Compressed               | 2.13 |
| Approx. Free             | 2.54 |
| Max. Extended            | 3.06 |

| T94 SERIES LOAD RANGE DATA |                    |
|----------------------------|--------------------|
| Part #                     | Max. Load/Isolator |
| T94-AB-110                 | 110 lbs.           |
| T94-AB-150                 | 150 lbs.           |

