

9300 MOUNT SERIES

APPLICATIONS

- Airborne electronics
- Ideal for use in applications where attitude of equipment in operation may vary, such as missiles

FEATURES

- Axial to radial stiffness of 1:1
- Rugged, reliable construction
- All attitude isolators

BENEFITS

- Isolators are not effected by oil, dust, water, ozone atmospheric pressure or temperature
- Ideal for center of gravity type suspensions

LOAD RANGE

- 9300 Series = 17 load ratings to 16 lbs. per mount



Barry 9300 Series isolators are versatile, double acting mountings for installation with electronic & electro-mechanical equipment requiring protection against the vibration and shock encountered in airborne operations.

Specifications

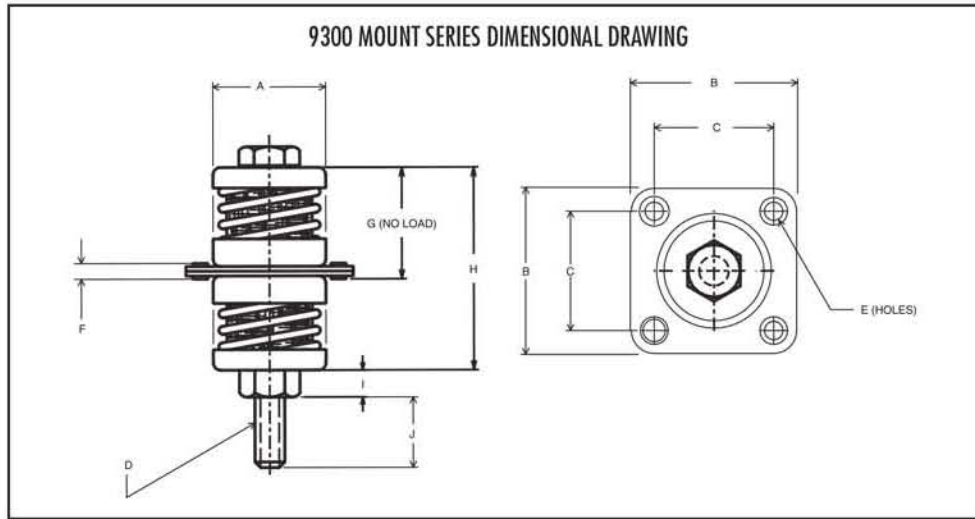
• Natural Frequency	12-15 Hertz
• Transmissibility at resonance	4.0 Max
• Resilient Element	Springs & Metal Mesh
• Standard Materials	Aluminum Housing
• Weight	9301 = 1.25 oz. 9302 = 2.75 oz. 9303 = 4.75 oz.

Environmental Data

- Operating temperature ranges of -130°F to +375°F (-90°C to +190°C).
- Resistant to dust, oils, oil-based solvents, salt water and sand.

9300 MOUNT SERIES:

Dimensions & Load Range Specifications



Part #	Load Range	DIMENSIONS (INCHES)									
		A	B	C	D	E	F	G	H	I	J
9301-1	.5 - 1 lbs.	15/16	1 1/4	1	10-32	.141	3/64	51/64	1 1/2	5/16	3/8
9301-2	1 - 2 lbs.										
9303-3	2 - 3 lbs.										
9302-1	1-2 lbs.	1 7/32	1 3/4	1.375	1/4-20	.196	3/16	1 3/32	2	1/8	9/16
9302-2	1 3/4 - 3 1/2 lbs.										
9302-3	3 1/4 - 6 1/2 lbs.										
9303-1	2 - 3 lbs.	1 9/16	1 31/32	1.375	5/16-24	.196	3/16	1 1/4	2 5/16	5/16	1/2
9303-2	3 - 5 lbs.										
9303-3	5 - 7 lbs.										
9303-4	7 - 10 lbs.										
9303-7	10 - 13 lbs.										
9304-1	1 - 2 lbs.										
9304-2	7 - 11 lbs.										
9304-3	11 - 16 lbs.										
9304-4	4.5 - 7 lbs.										
9304-5	2 - 3 lbs.										
9304-6	3 - 4.5 lbs.										