

L-MOUNT SERIES (L21/L22/L44/L64)

Low-frequency, highly damped mounts for a high level of vibration isolation.

APPLICATIONS

- Avionic equipment in propeller driven aircraft
- Sensitive instrumentation and medical equipment
- Stationary applications where cost effective, low frequency isolation is required

FEATURES

- Marking of mounts with military designations available on special order
- Aluminum construction
- Axial to radial stiffness of 4:1
- For base mounting only
- Fail safe construction

BENEFITS

- Isolation performance maintained in attitudes up to 10° from the horizontal
- Low ratio of horizontal and vertical stiffness which holds transmissibility in rocking modes to unusually low magnitudes

LOAD RANGE

- L21/L22 = 7 load ranges from .35 - 4 lbs. per mount
- L44 = 7 load ratings from .25 - 10 lbs. per mount
- L64 = 7 load ratings from 2.0 - 40 lbs. per mount



Barry L-Mounts increase equipment reliability and extend component life by providing isolation for frequencies as low as 10 Hertz and exhibiting low transmissibility at resonance (below 2.5) with .60" double amplitude vibratory input.

Specifications

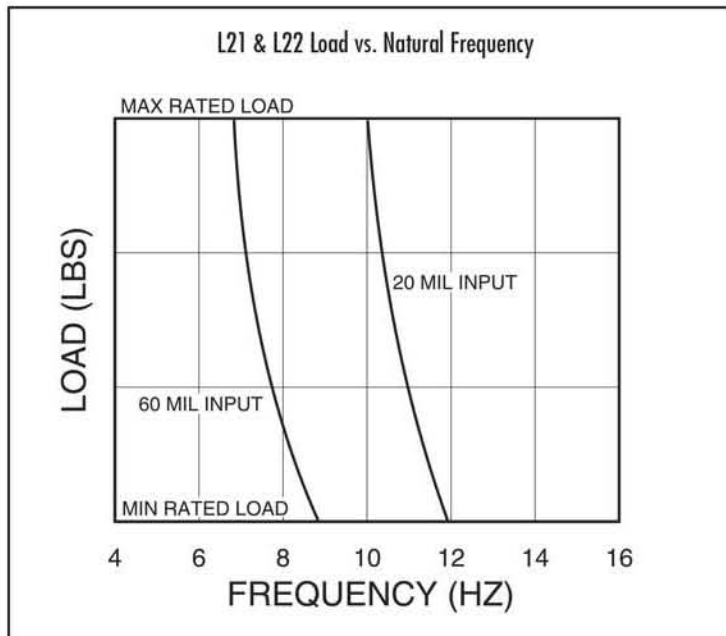
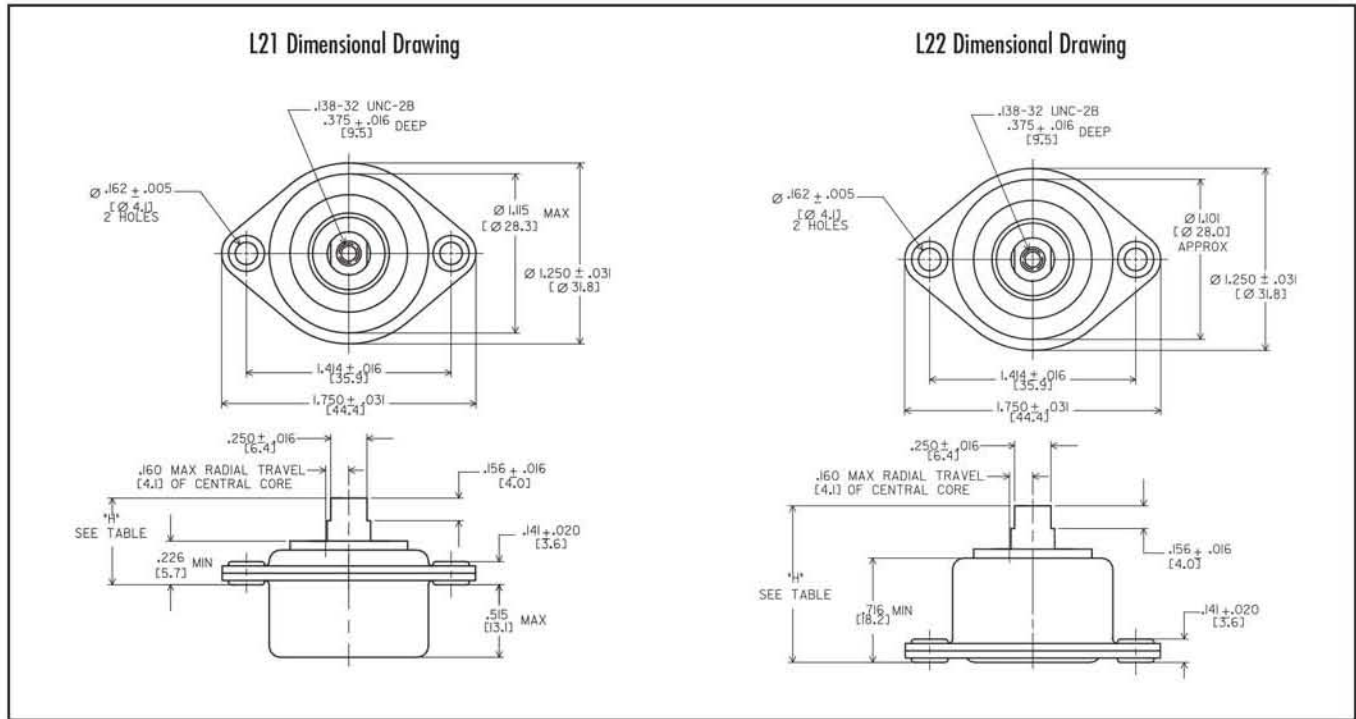
• Natural Frequency	7-10 Hertz
• Transmissibility at resonance	2.5
• Resilient Element	Friction damped spring
• Standard Materials	Aluminum
• Weight	L21 = .031 lbs. L22 = .031 lbs. L44 = .098 lbs. L64 = .226 lbs.

Environmental Data

- Operating temperature ranges of -67°F to +250°F (-55°C to +120°C).
- Meets vibration and shock requirements of MIL-C-172C.
- L44 and L64 isolators are known as "MS" (Military Standard) mounts and appear on QPL's.

L-MOUNT SERIES: L21/L22

Dimensions & Performance Characteristics

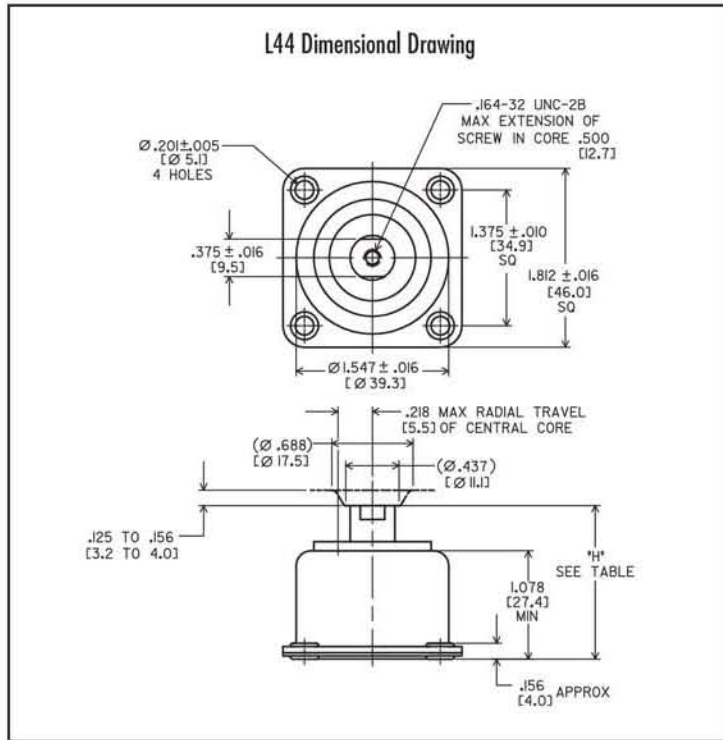


L21-BA MOUNT	
HEIGHT OF ALUMINUM CORE (Inches) ("H")	
Compressed	.219 (min.)
Under min. load	0.50 (approx.)
Extended	.703 (max.)

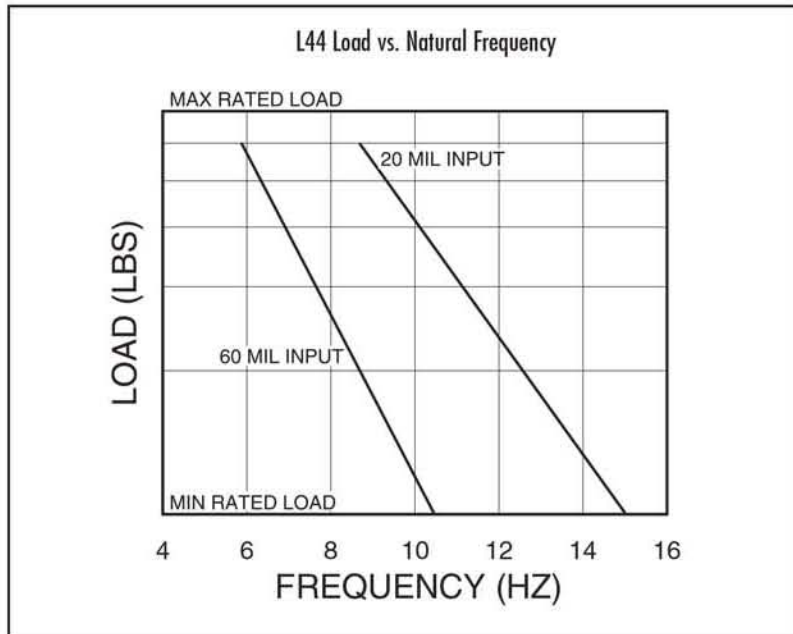
L22-BA MOUNT	
HEIGHT OF ALUMINUM CORE (Inches) ("H")	
Compressed	.719 (min.)
Under min. load	1.00 (approx.)
Extended	1.172 (max.)

L-MOUNT SERIES: L44

Dimensions & Performance Characteristics

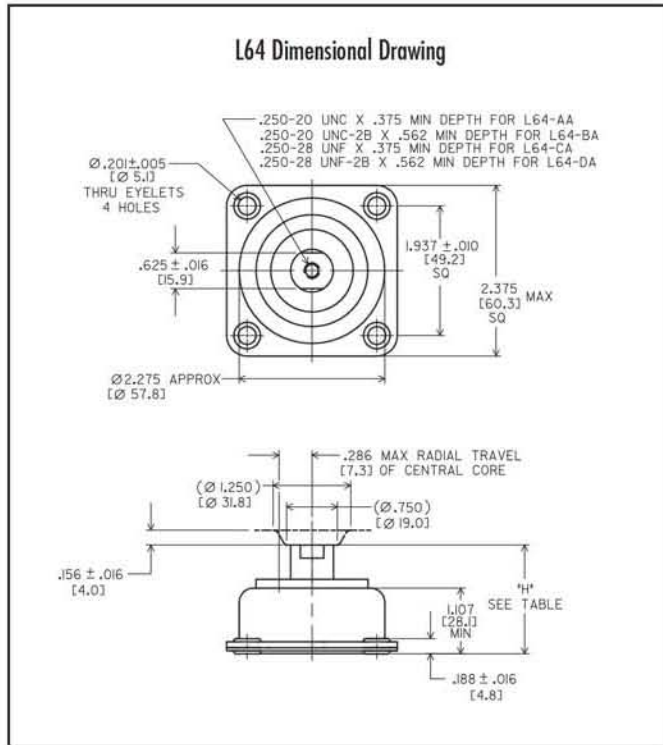


L44 MOUNT	L44-AA	L44-BA
HEIGHT OF ALUMINUM CORE (Inches) ("H")		
Compressed (min.)	.975	1.131
Under min. load (approx.)	1.375	1.562
Extended (max.)	1.632	1.788



L-MOUNT SERIES: L64

Dimensions & Performance Characteristics



L64 MOUNT	L64-AA+CA	L64-BA+DA
HEIGHT OF ALUMINUM CORE (Inches) ("H")		
Compressed (min.)	.982	1.148
Under min. load (approx.)	1.406	1.562
Extended (max.)	1.540	1.706

